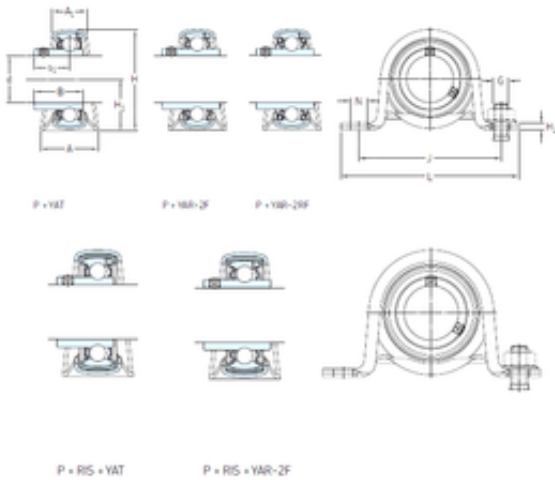




# CRP Bearing & Machinery Parts Co.,...



## SKF P 40 RM Unidades de rolamento

Bearing No. P 40 RM

Bore Diameter	40 mm
d	40 mm
s1	25,3 mm
A	43 mm
A1	29 mm
B	36 mm
H	86 mm
H1	43,5 mm
H2	5 mm
J	120 mm
L	148 mm
N	14 mm
Thread (G)	12
Weight	0,8 Kg
Basic dynamic load rating (C)	30,7 kN
Basic static load rating (C0)	19 kN
Housing material	Pressed steel
A <sub>1</sub>	29 mm
B <sub>4</sub>	7 mm
H <sub>1</sub>	43.6 mm
H <sub>2</sub>	5 mm
s <sub>1</sub>	25.3 mm
Basic dynamic load rating C	30.7 kN
Basic static load rating C <sub>0</sub>	19 kN
Fatigue load limit P <sub>u</sub>	0.8 kN
Permissible radial housing	3.8 kN

P 40 RM Bearing 2D drawings and 3D CAD models



## CRP Bearing & Machinery Parts Co.,...

load max.	
Limiting speed	4800 r/min
Mass bearing unit	0.74 kg
Thread grub screw G <sub>2</sub>	M6x0.75
Hexagonal key size for grub screw N	3 mm
Recommended tightening torque for grub screw	4 N · m
Recommended diameter for attachment bolts, mm G	12 mm
Recommended diameter for attachment bolts, inch G	0.5 in