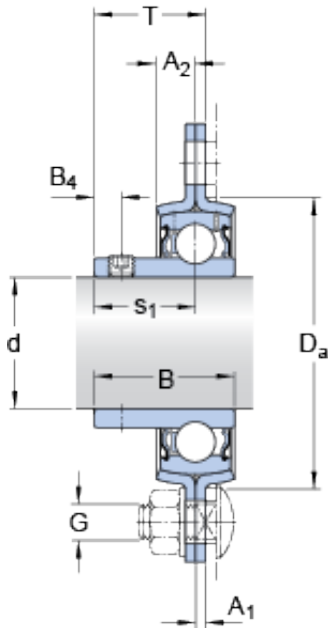




CRP Bearing & Machinery Parts Co.,...



PF 45 RM Bearing 2D drawings and 3D CAD models

SKF PF 45 RM Unidades de rolamento

Bearing No. PF 45 RM

Size	45x3.5x10.5 mm
Bore Diameter	45 mm
Outer Diameter	3,5 mm
Width	10,5 mm
d	45 mm
A ₁	3.5 mm
A ₂	10.5 mm
B	37 mm
B ₄	7 mm
D _a - min.	92 mm
J	120.6 mm
H	149 mm
H	13.5 mm
s ₁	25.8 mm
T	29.3 mm
Basic dynamic load rating - C	33.2 kN
Basic static load rating - C ₀	21.6 kN
Fatigue load limit - P _u	0.915 kN
Permissible radial housing load	max. 8.3 kN
Weight	1.15 kg
Thread - G ₂	M6x0.75
Hexagonal key size for grub screw - H	3 mm
Housing material	Pressed steel



CRP Bearing & Machinery Parts Co.,...

A_1	3.5 mm
A_2	10.5 mm
B_4	7 mm
D_a min.	92 mm
N	13.5 mm
s_1	25.8 mm
Basic dynamic load rating C	33.2 kN
Basic static load rating C_0	21.6 kN
Fatigue load limit P_u	0.915 kN
Permissible radial housing load max.	8.3 kN
Mass unit	1.15 kg
Thread grub screw G_2	M6x0.75
Hexagonal key size for grub screw N	3 mm
Recommended tightening torque for grub screw	4 N · m
Recommended diameter for attachment bolts, mm G	12 mm
Recommended diameter for attachment bolts, inch G	0.5 in