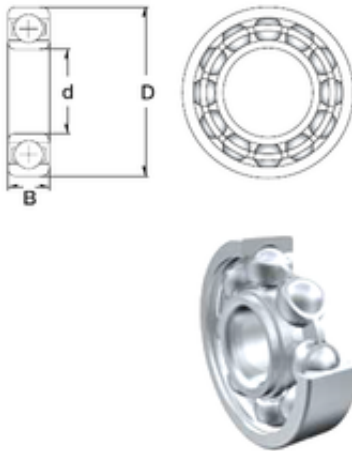




## CRP Bearing & Machinery Parts Co.,...



2 mm x 5 mm x 2 mm ZEN MR52 Rolamentos de esferas profundas

Bearing No. MR52

Size	2x5x2 mm
Bore Diameter	2 mm
Outer Diameter	5 mm
Width	2 mm
d	2 mm
D	5 mm
B	2 mm
C	2 mm
Basic dynamic load rating (C)	0,169 kN
Basic static load rating (C0)	0,05 kN
(Grease) Lubrication Speed	85000 r/min

MR52 Bearing 2D drawings and 3D CAD models